

# 70 Volt Speaker & Volume Control Wiring Diagram

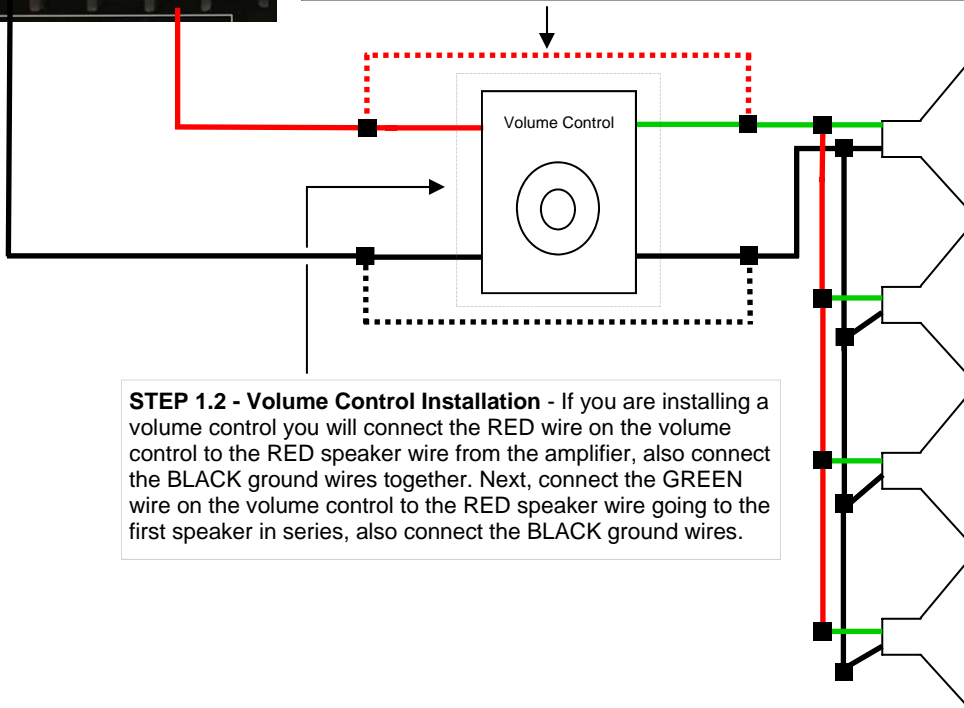
This document will assist you with the basic installation of a commercial grade amplifier and 70 volt speakers. In order to complete the installation you will need 16 x2 speaker wire and some basic tools.

## PASO T3130 Back Panel



**STEP 1 - Speaker Installation (without volume control)** - Connect the RED speaker wire to the "70V" connection on the back of the amplifier. Next, connect the RED speaker wire with the GREEN (5 watt) wire on the speaker. It is recommended to use connectors when joining wires together. Next, connect the BLACK (ground) speaker wire from the amplifier to the BLACK wire on the first speaker. Dotted lines represent the wiring that should be used if you are not using a volume control.

**Please Note:** If you are installing a volume control follow the instructions below (STEP 1.2).



**Please Note:** With 70volt speaker systems you will be "Daisy Chaining" each speaker together. You will do this by connecting the RED speaker wire to the GREEN wire on each speaker. Then connect the BLACK speaker wire to the BLACK (ground) on each speaker.

### Example Connections



**STEP 1.2 - Volume Control Installation** - If you are installing a volume control you will connect the RED wire on the volume control to the RED speaker wire from the amplifier, also connect the BLACK ground wires together. Next, connect the GREEN wire on the volume control to the RED speaker wire going to the first speaker in series, also connect the BLACK ground wires.



**STEP 2 -** Connect the supplied RCA cables (red & white cables) to the back of digital media player. Next, connect the other end of the cables into an open input on the back of your amplifier.

**Please Note:** Be sure to turn up the volume on the front of the amplifier that matches the input you connected to on the back.

**STEP 3 -** Power on the digital media player and the amplifier.